



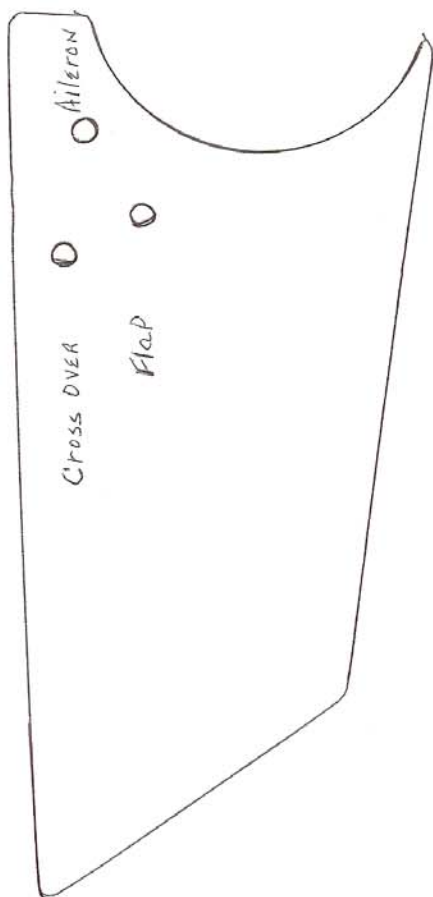
Section Number	Section Title	Page
	Contents	1
A1	Flap/Aileron cable positioning template.....	2
A2	Plates:	
	Pulley cover plate.....	3
	Wind Shield Template.....	4
	Wind Shield Hole Saw Cut.....	5
	Pages	6 left blank
	Flap fabric plate.....	7
	Aileron top fabric plate.....	8
	Aileron bottom fabric plate	9
	Aileron bottom cover plate.....	10
	Front lift strut fabric plate	11
	Rear lift strut fabric plate.....	12
A3	Oil Check Door	13

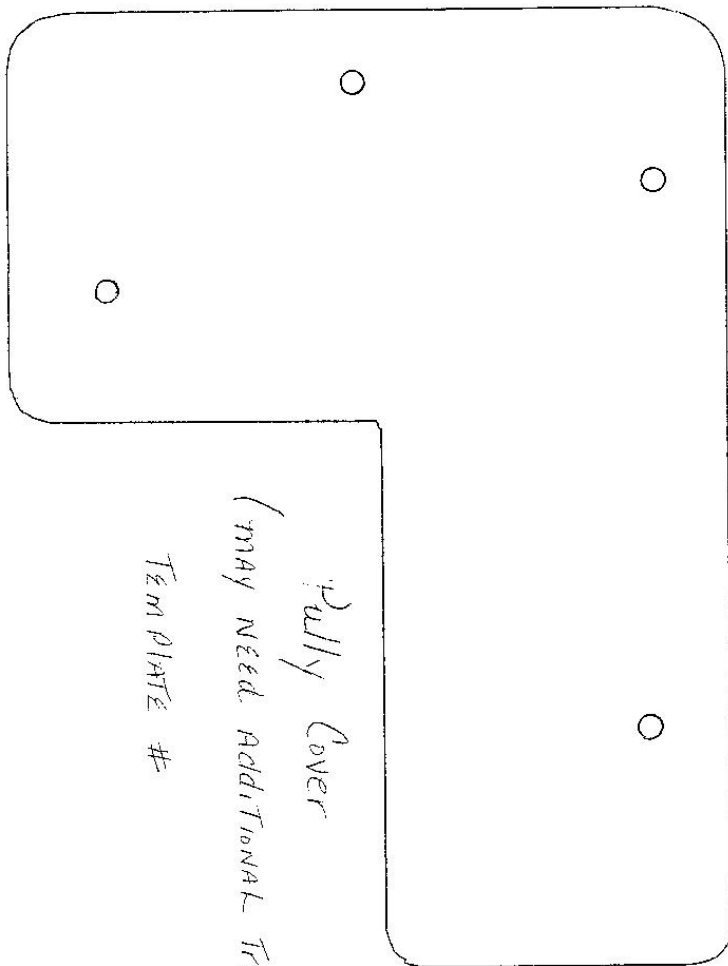
Templates are for reference only as some dimensions can change, depending upon the builders wishes.

The fabric plates can be larger to suite but not much smaller. All may require additional trimming to get the right fit.

The oil door is an option you can use if you wish.



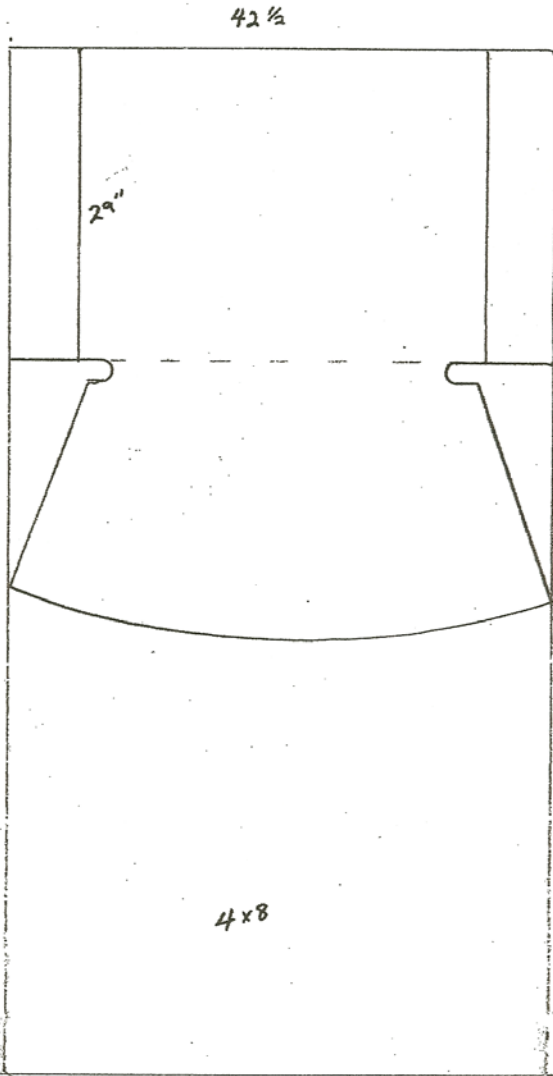




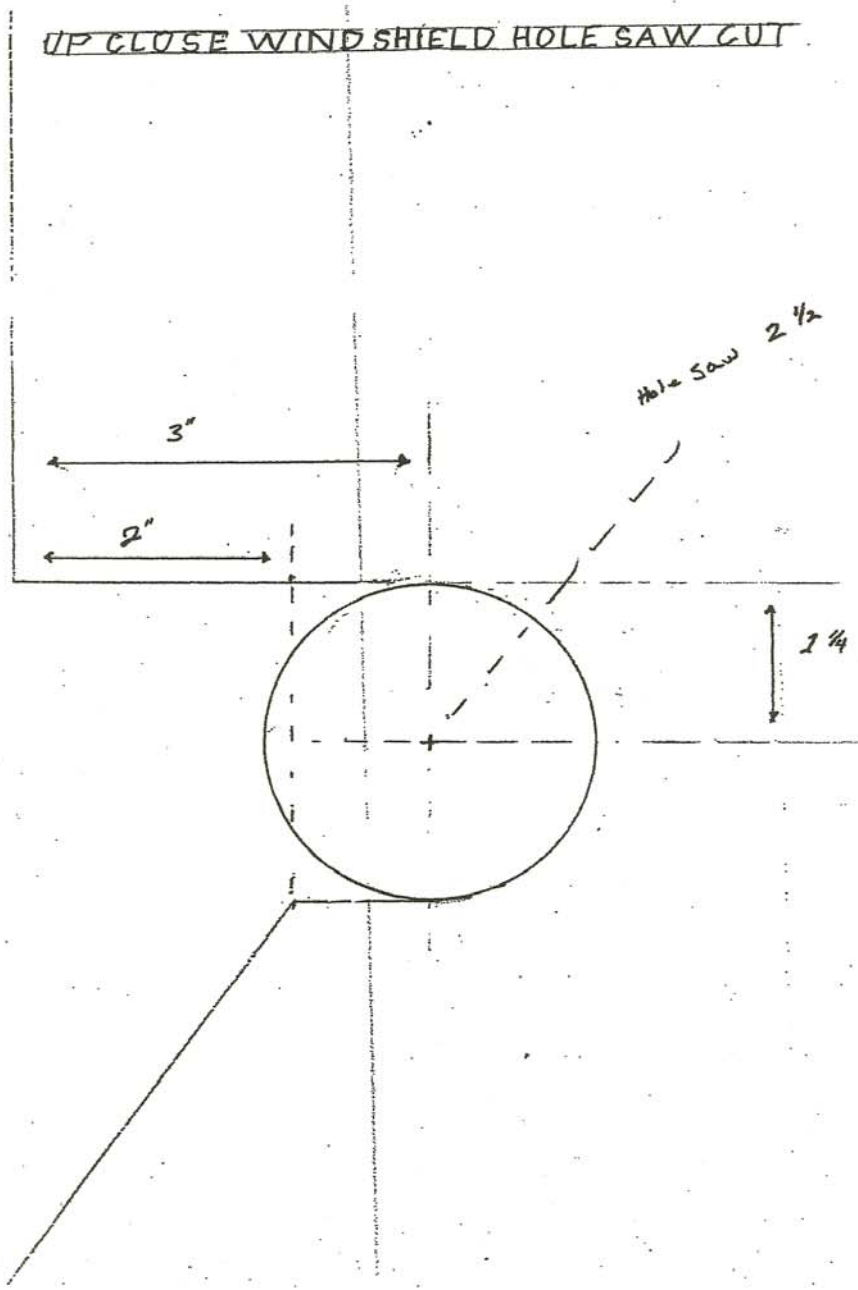
Polly Cover
(MAY NEED ADDITIONAL TRIMMING)

TEMPLATE #

WINDSHIELD TEMPLATE

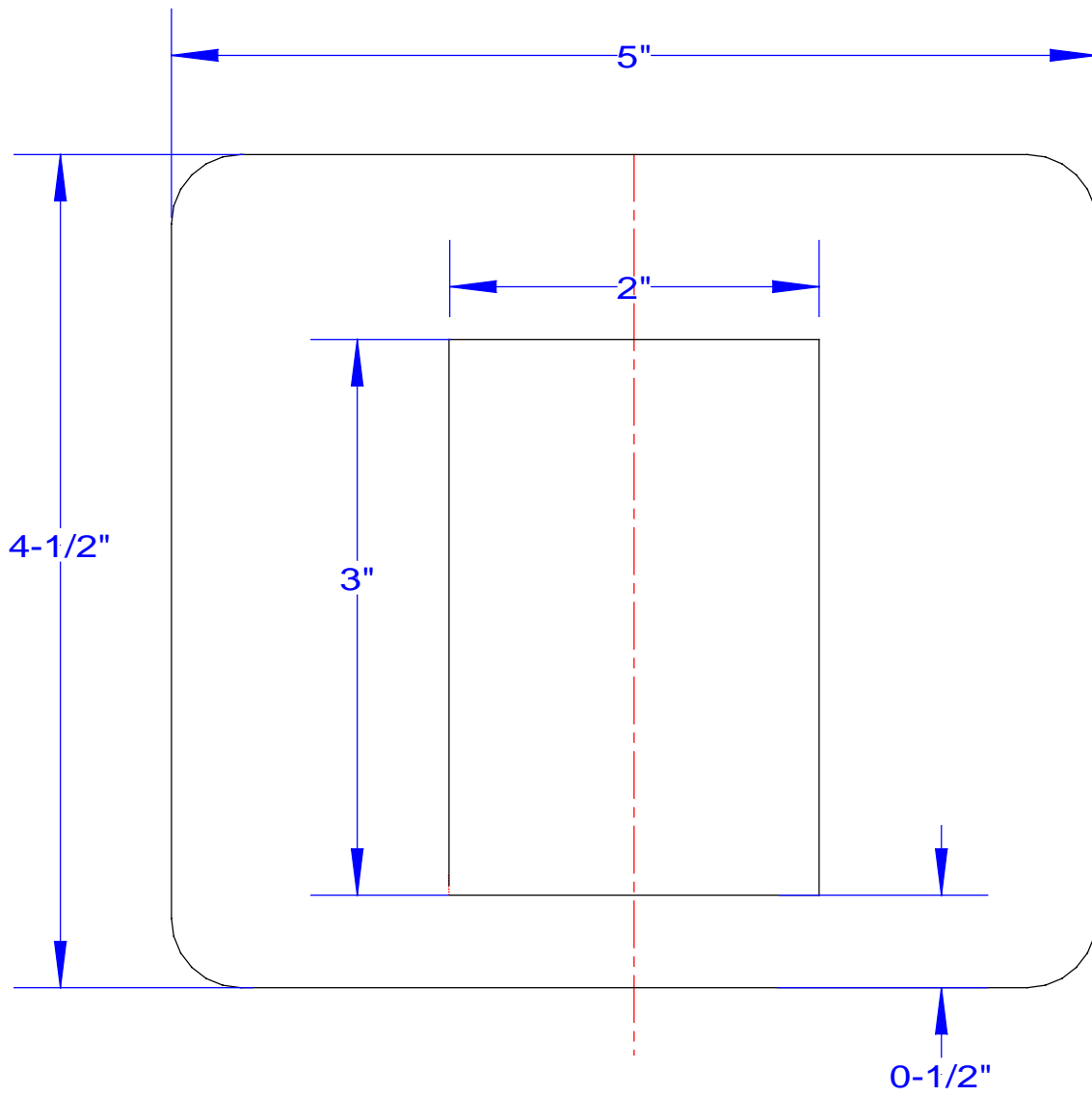


UP CLOSE WIND SHIELD HOLE SAW CUT

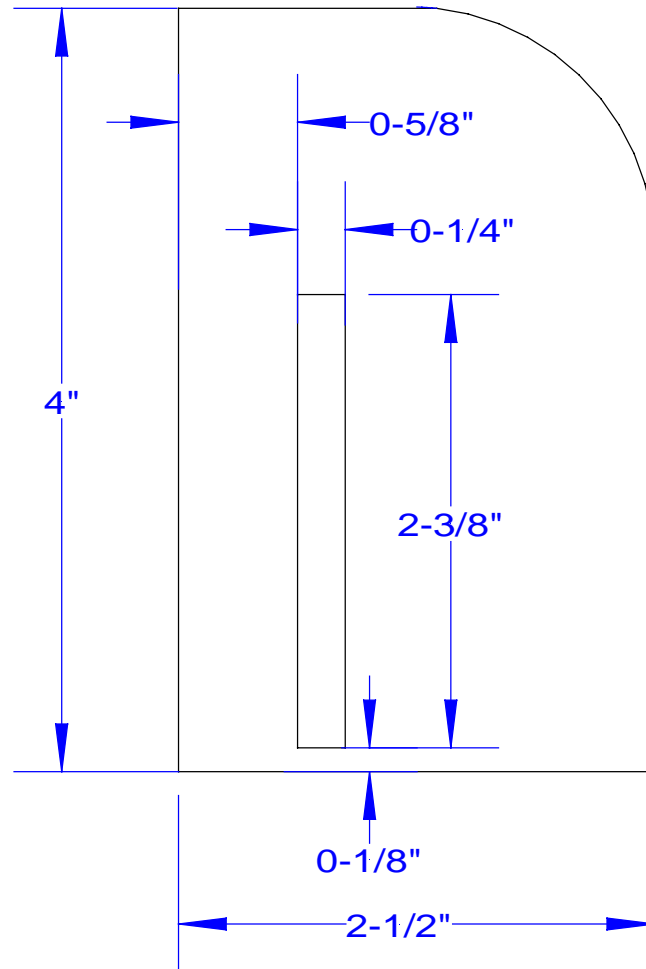


A2 FABRIC PLATES

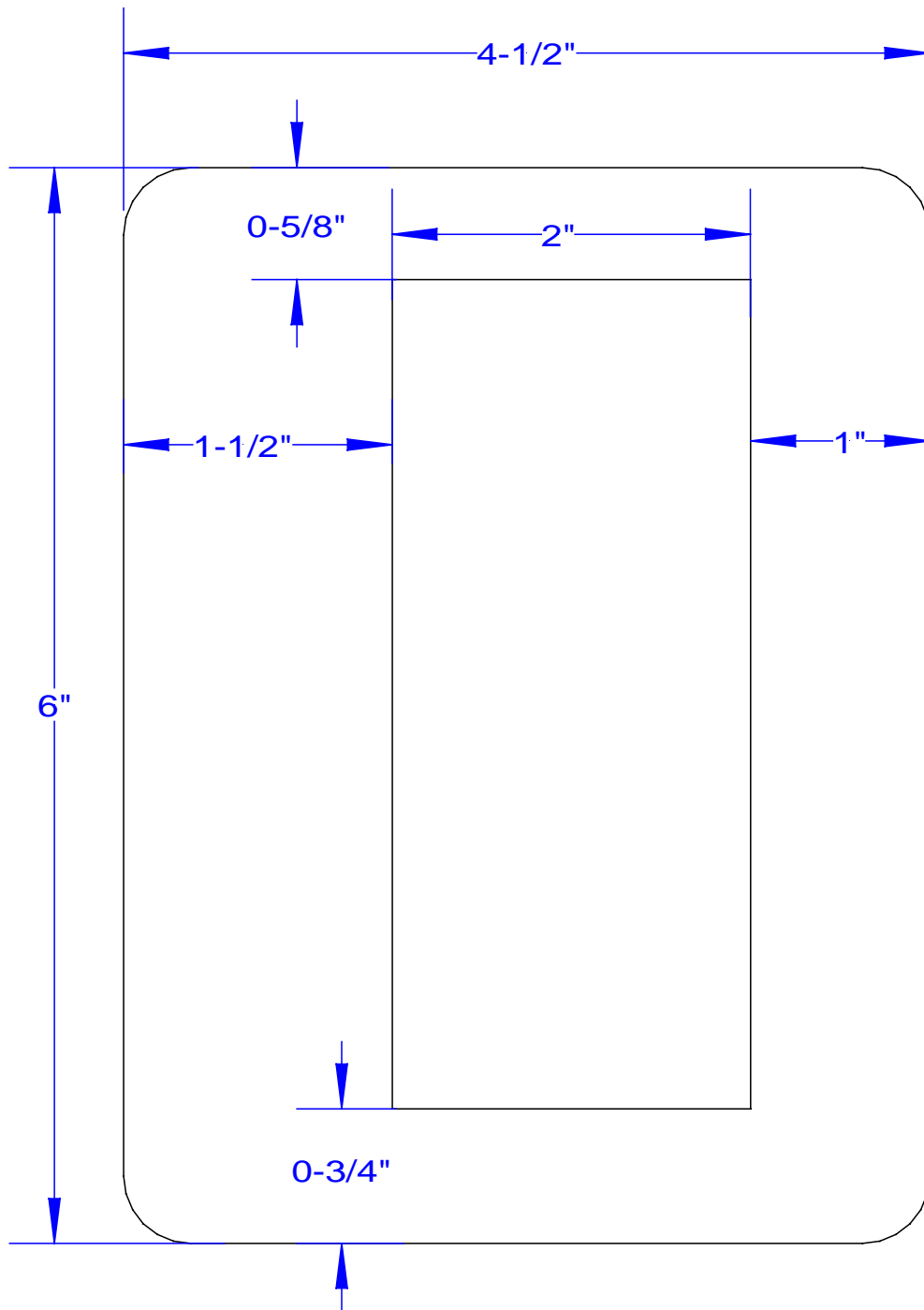
A2.1 Flap fabric plate



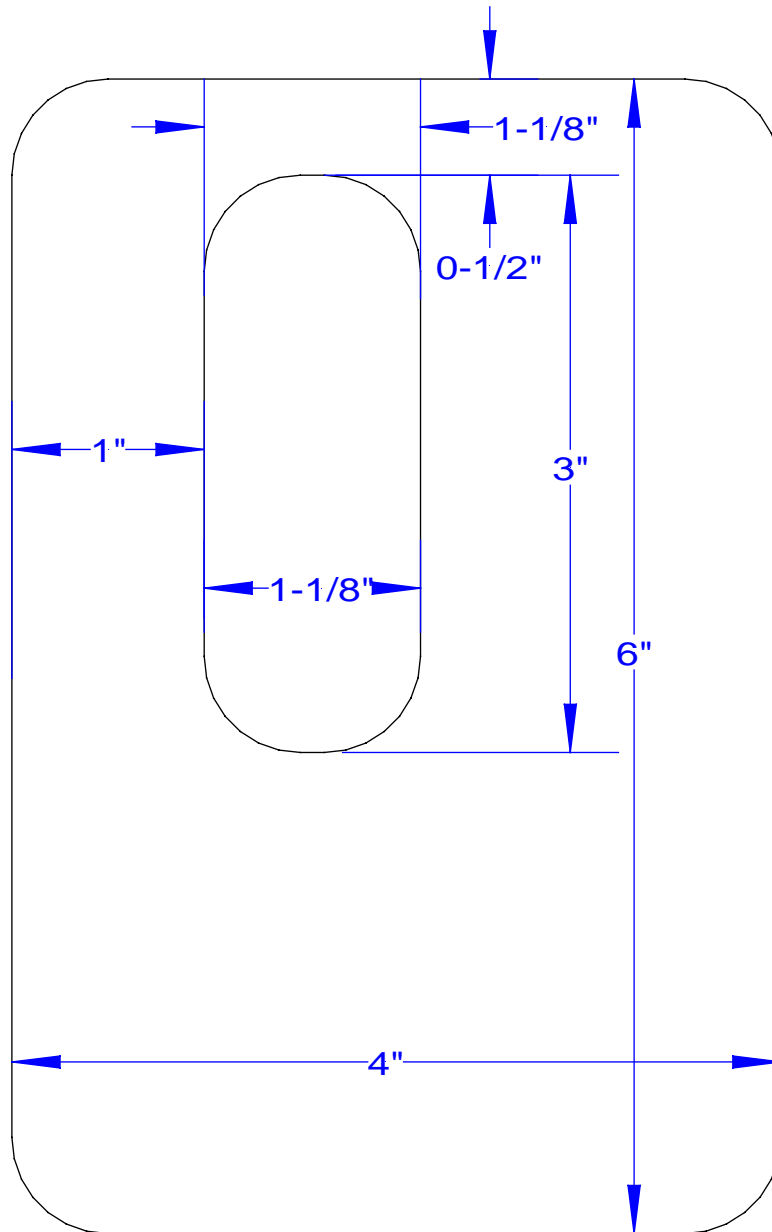
A2.2 Aileron top fabric plate



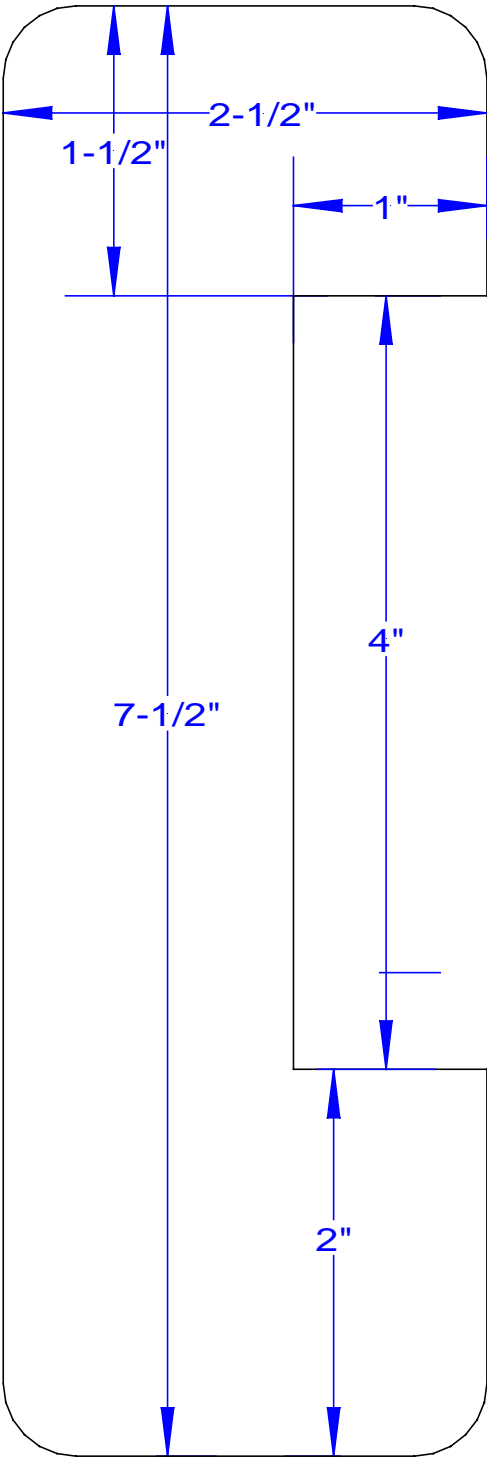
A2.3 Aileron bottom fabric plate



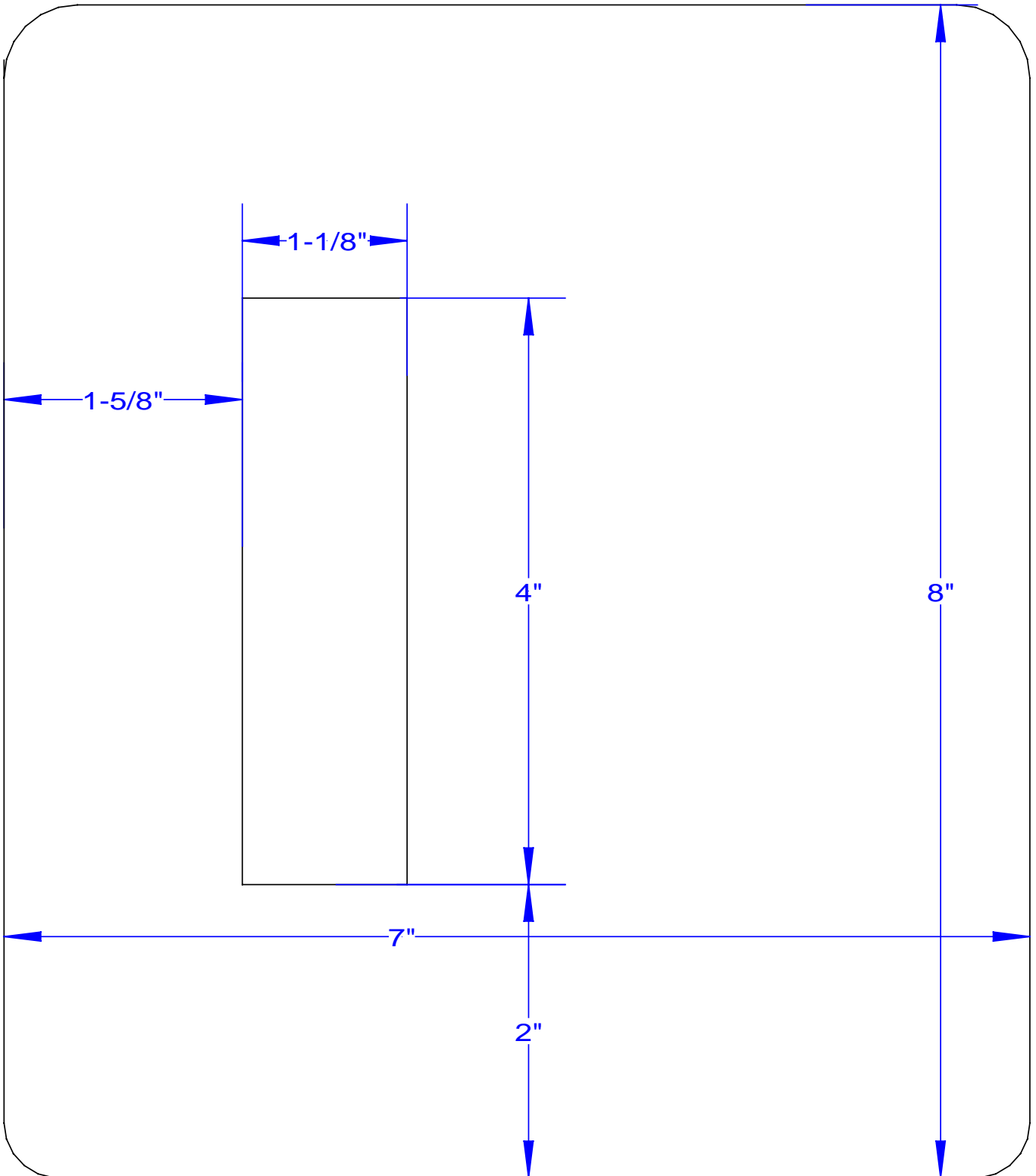
A2.4 Aileron bottom cover plate



A2.5 Front lift strut fabric plate



A2.6 Rear lift strut fabric plate



A3 OIL CHECK DOOR

