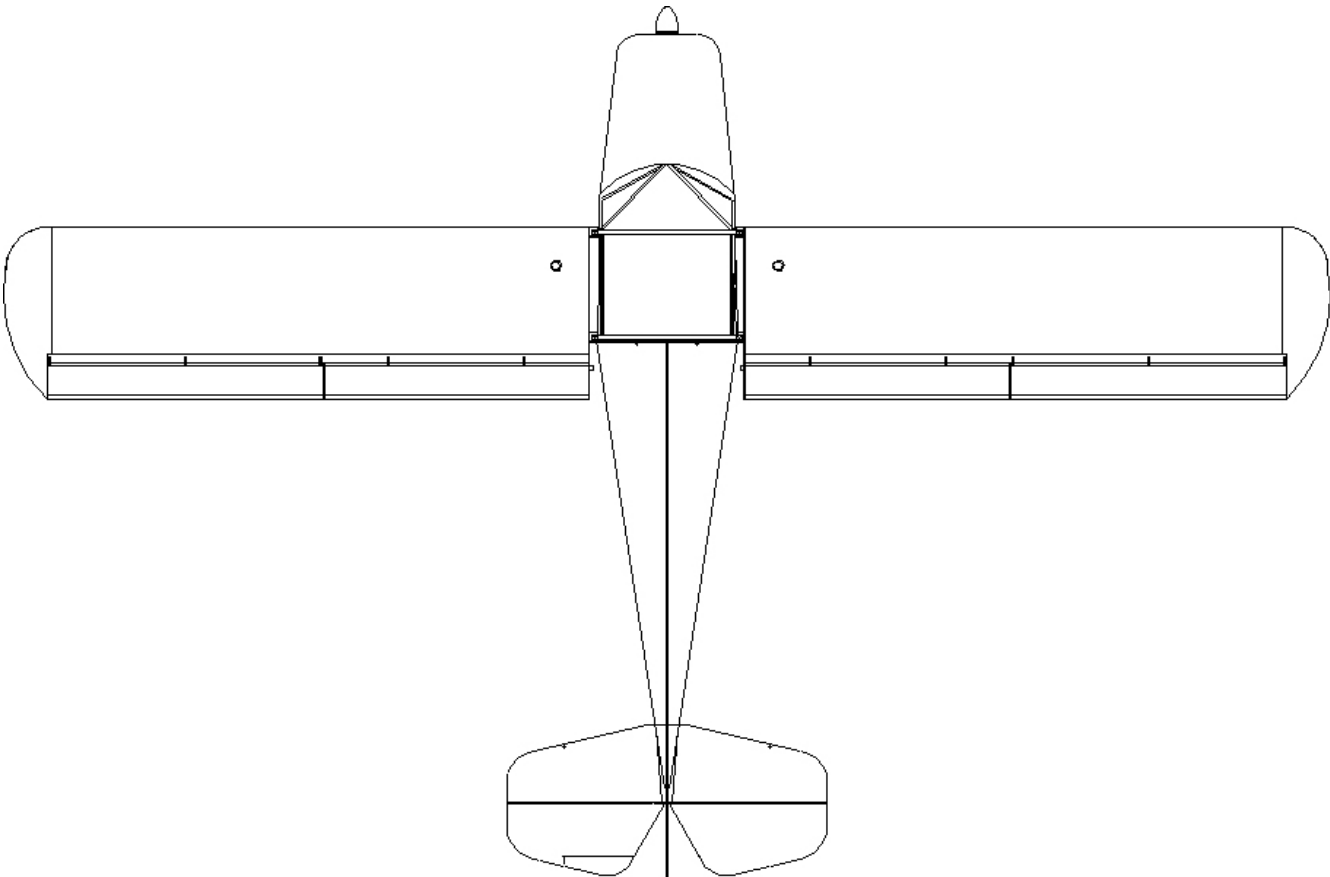


Just Aircraft, LLC



APPENDIX C – OUTLINE DRAWINGS

| Section Number | Section Title | Page |
|-----------------------|--------------------------------------|-------------|
| | Contents | C-1 |
| C1 | Outline drawings of Escapade | C-2 |
| | Outline drawings of Highlander | C-4 |



Top view

